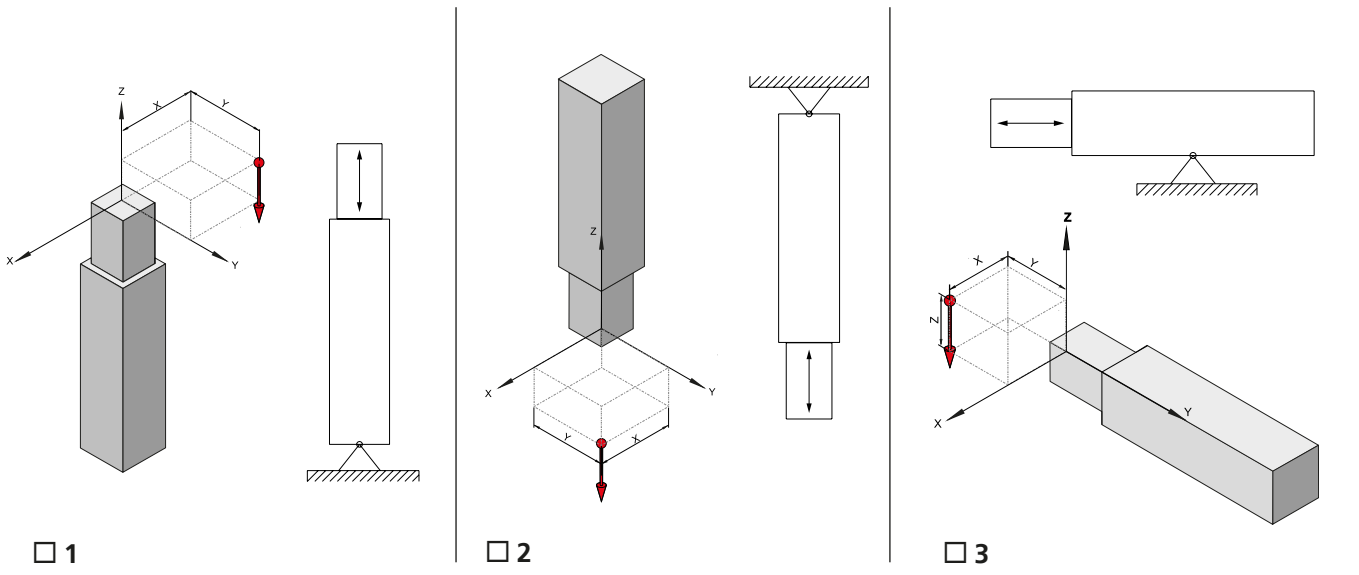


**Enquiry form
lifting columns**



Enquiry form for lifting columns

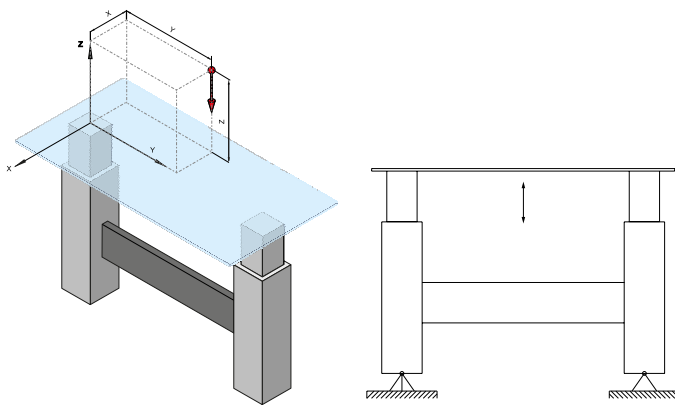
Application examples: 1 2 3 4 5 6 7



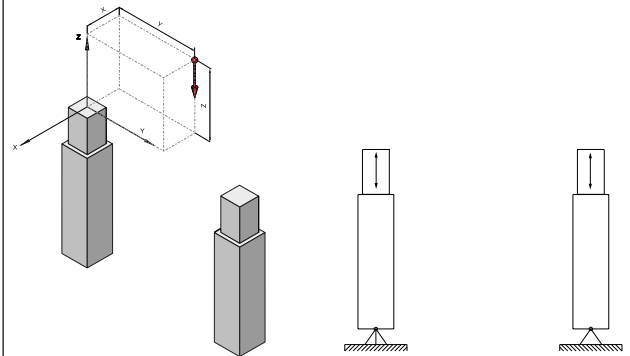
1

2

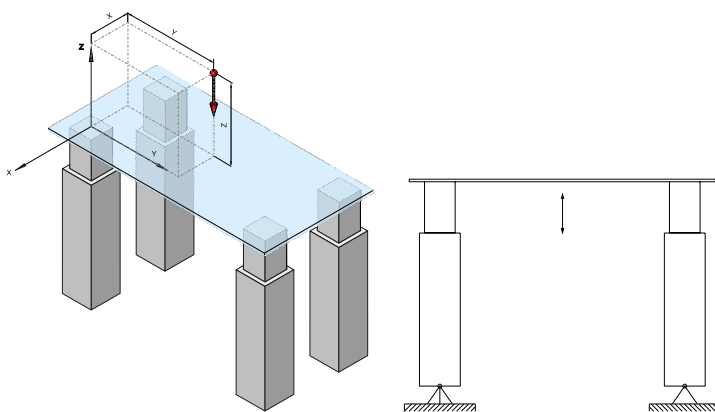
3



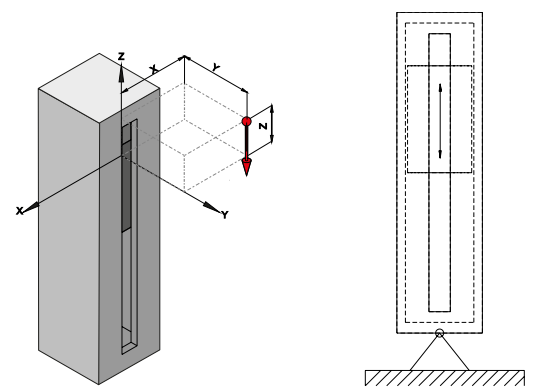
4



5



6



7